

Show Cage Sizes—Zebra Finches



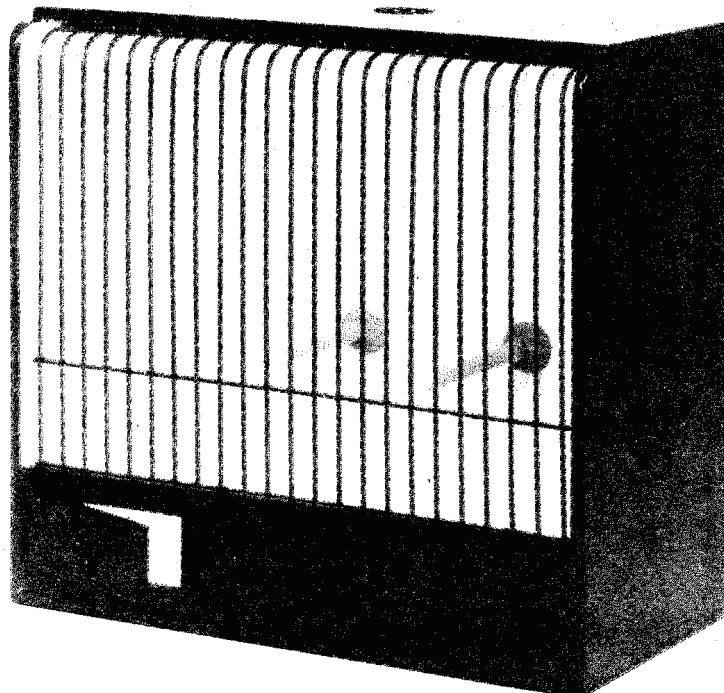
This fact sheet details the specification of the Show Cage that is required to exhibit Zebra Finches in the United Kingdom.

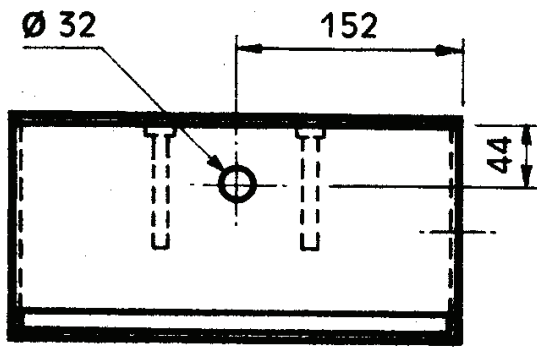
Other fact sheets in this series are available covering the requirements for other species of birds.

THE ZEBRA FINCH SOCIETY STANDARD SHOW CAGE

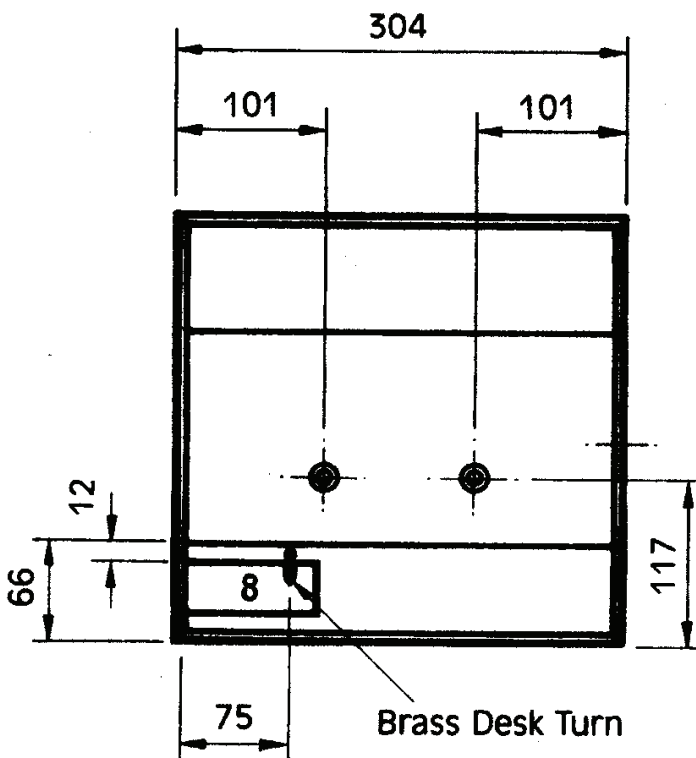
Specification

- WOOD : Top, sides, bottom, false roof and front rail 6mm thick. Back 4mm thick ply.
- PERCHES : Overall length 100mm, 10mm diameter. Rear boss 25mm diameter projecting 10mm
- FRONT RAIL : Right hand edge of the drinker door cut at 45 degrees. Escape wire (painted white) fitted into other end. "S" hook fastened to the centre of the drinker door with a staple as shown. Drinker door fastened by a brass desk turn painted black. Door hinged using pin through front rail and door. Zinc clip screwed to the inside of door to carry white plastic drinker.
- WIRE FRONT : Comprising 23 wires 12.7mm centre to centre, double punched bar at top set 5mm apart, for fixing two wires left top and bottom.
- COLOUR : Inside white. Outside black.
- FLOOR COVERING : Any suitable seed.

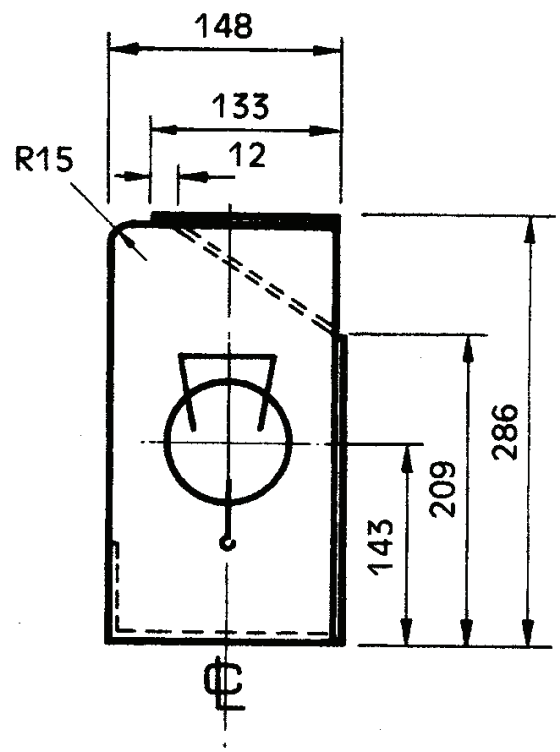




PLAN



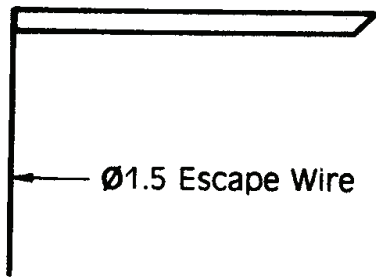
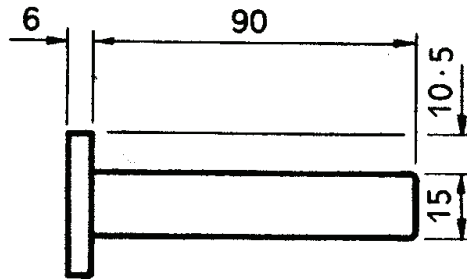
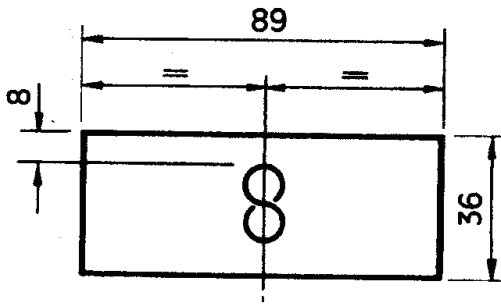
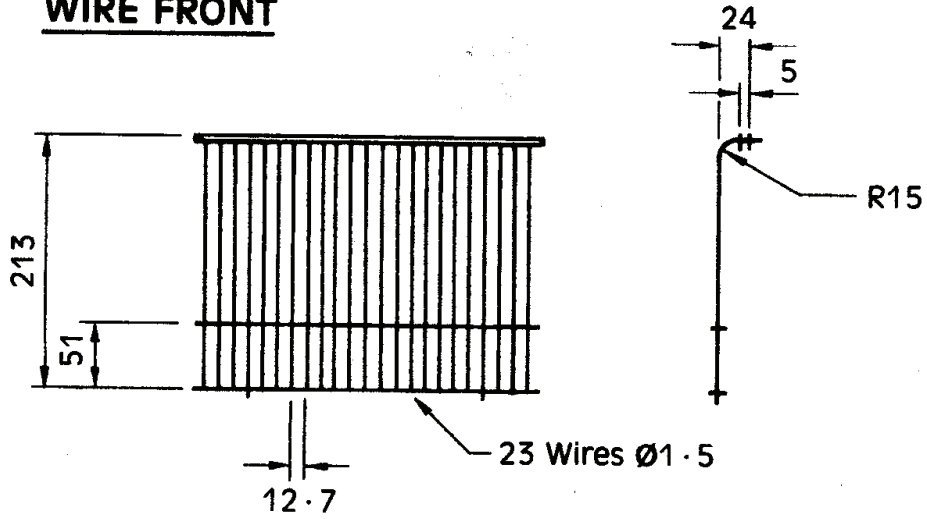
FRONT VIEW



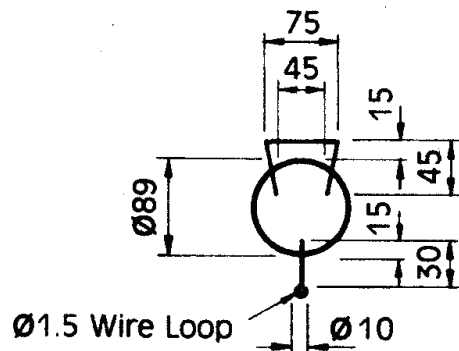
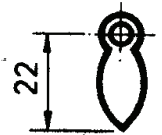
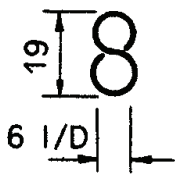
END VIEW

Dimensions in millimetres unless otherwise stated

WIRE FRONT



DRINKER DOOR



S HOOK

DESK TURN

DOOR

This fact sheet has been produced for:
The NCA —Spring Gardens, Northampton NN1 1DR
www.nca.uk.net